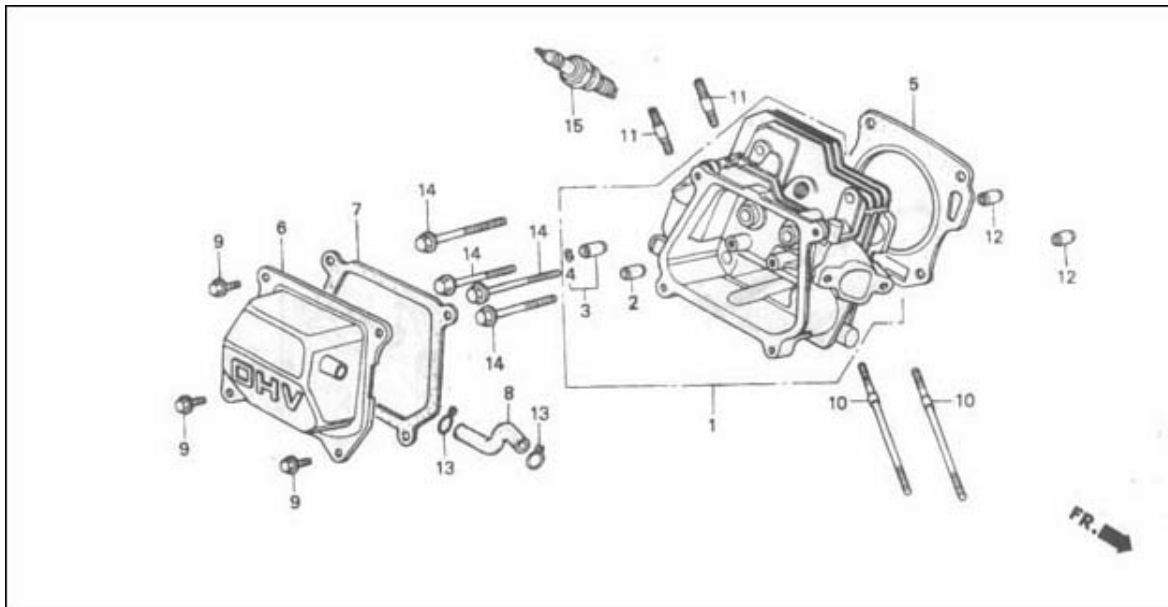


Cylinder head

1

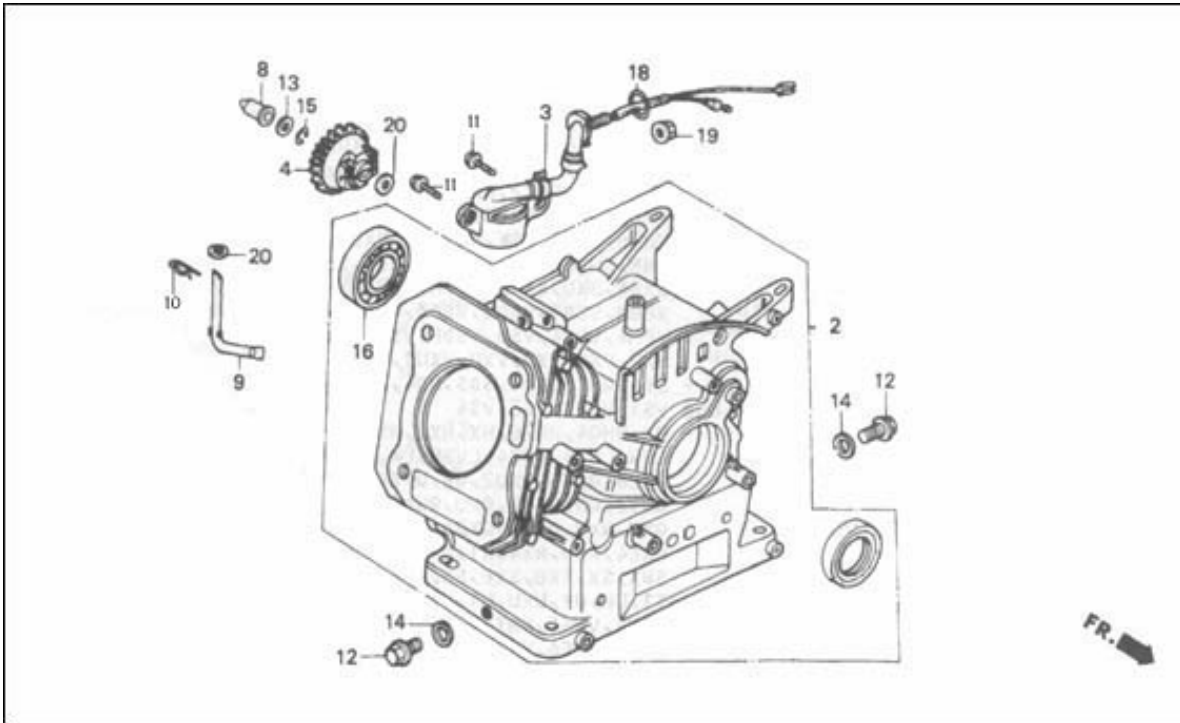


SN	PART DESCRIPTION	JD(JF168)	NUM
1	HEAD COMP、CYLINDER	JF200.1	1
2	GUIDE、IN.VALVE(OVERSIZE)	JF168.1.2-4	1
3	GUIDE、VALVE(OVERSIZE)	JF168.1.2-5	1
4	CLIP、VALVE GUIDE	JF168.1.2-6	2
5	GASKET、CYLINDER HEAD	JF200.2-3	1
6	COVER COMP、HEAD	JF168.1.1.1	1
7	PACKING、HEAD COVER	JF168.1.1-3	1
8	TUBE、BREATHER	JF168.1.1-2	1
9	BOLT、FLANGE、6X13	GB5780-86	4
10	BOLT、STUD、6X109	JF168.1-2	2
11	BOLT、STUD、8X32	GB5780-86	2
12	PIN、DOWEL、10X16	JF168.2-5	2

13	CLIP, TUBE (C12)	JF168.8.3-4	2
14	BOLT, FLANGE, 8X60	JF168.2-4	4
15	PLUG, SPARK (BPR4ES NGK)	JF168.10-1	1

Cylinder barrel

2

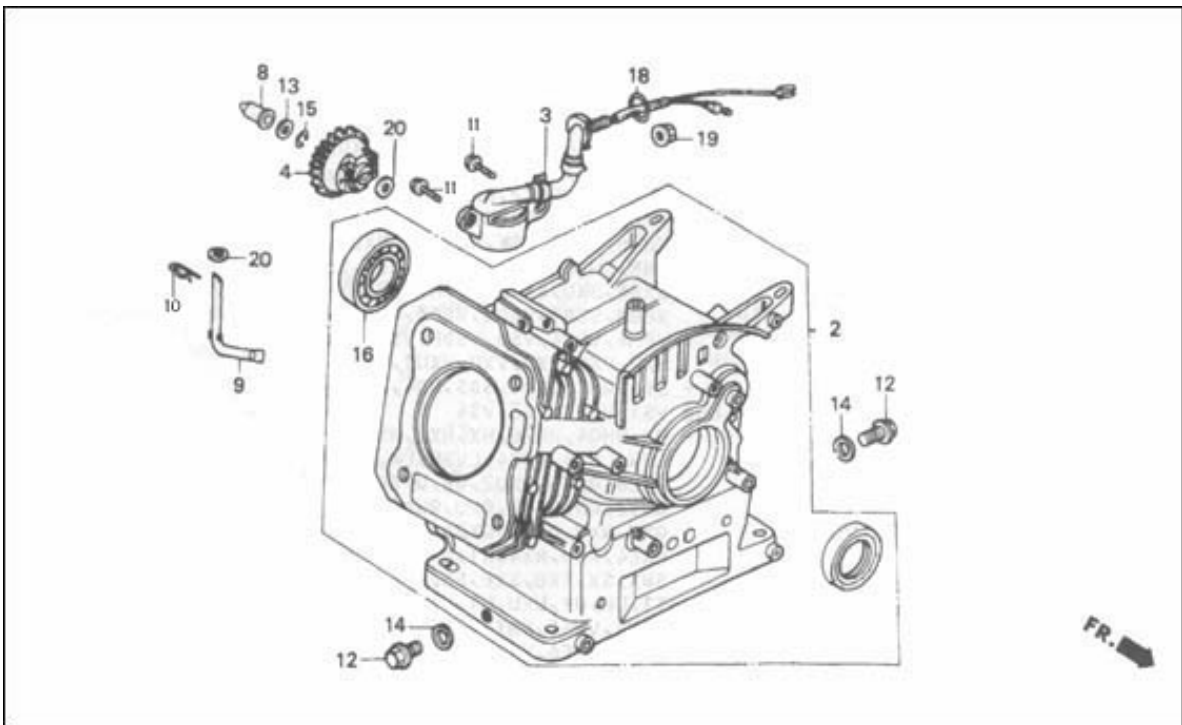


2	BARREL ASSY, CYLINDER (OIL ALERT)	JF200.2	1
3	SWITCH ASSY, OIL LEVEL	JF168.4	1
4	GOVERNOR ASSY	JF168.11.1-1	1
8	SLIDER, GOVERNOR	JF168.11.1-7	1
9	SHAFT, GOVERNOR ARM	JF168.11.2-1	1
10	PIN, LOCK, 8MM	JF168.11.2-2	1
11	BOLT, FLANGE, 6X12	GB5780-86	2
12	BOLT, DRAIN PLUG	JF168.2-6	2

13	WASHER, THRUST, 6MM	JF168.11.1-5	1
14	WASHER, DRAIN PLUG, 10.2MM	GB95-85	2
15	CLIP, GOVERNOR HOLDER	JF168.11.1-8	1
16	BEARING, RADIAL BALL(6205TMB (NTN)	GB276-89	2
17	OIL SEAL, 25X41X6	GB13817-92	2

Cylinder barrel

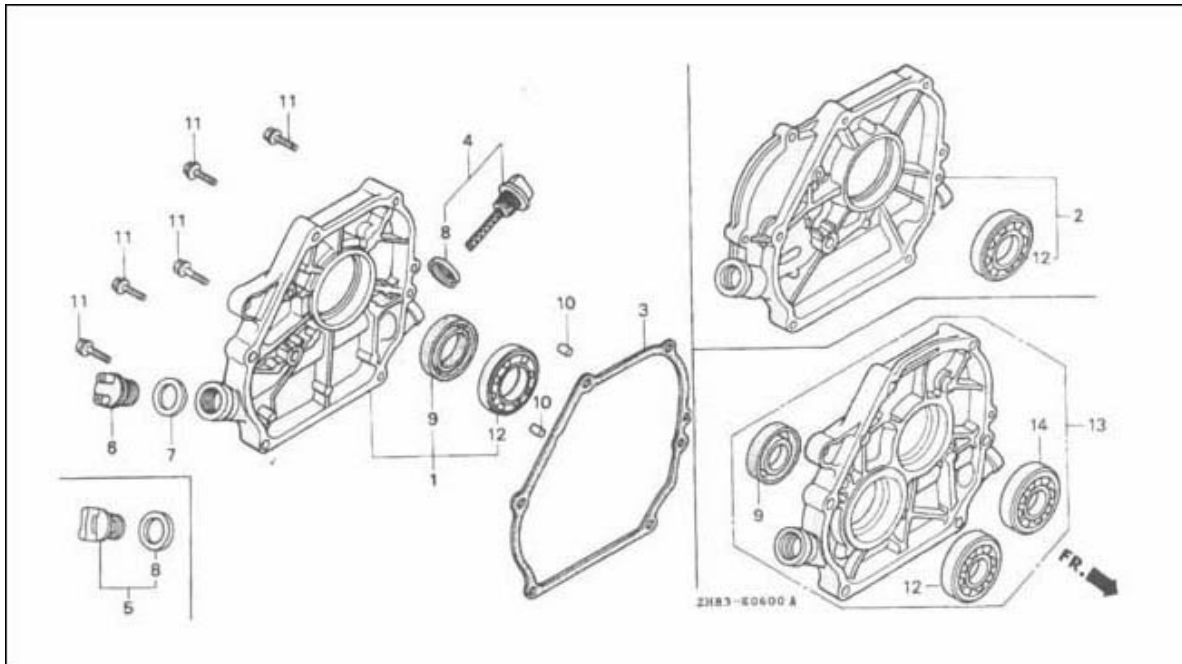
3



18	O-RING, 14MM (NOK)	JF168.14.2-10	1
19	NUT, FLANGE。 10MM	GB6177-86	1
20	WASHER, PLAIN, 6MM	JF168.11.1-6	1

Crankcase cover (1)

4

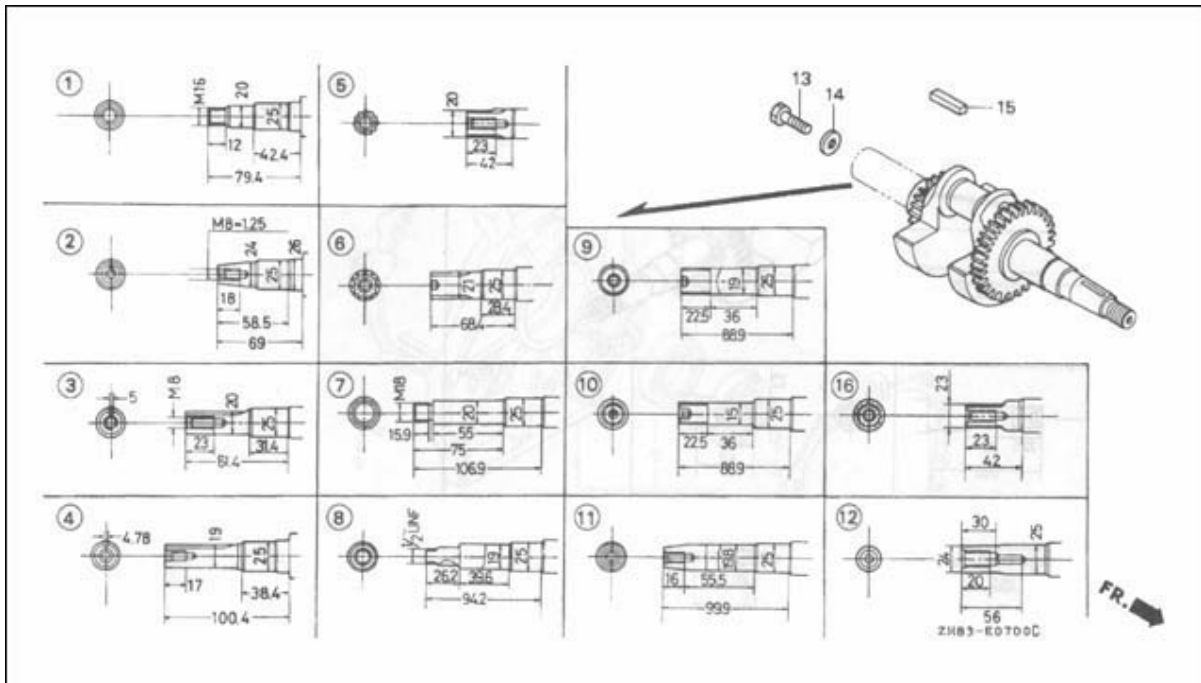


1	COVER ASSY、CRANKCASE	JF168.15	1
2	BEARING、RADIAL BALL、6205	GB276-89	1
3	PACKING、CASE COVER	JF168.15-2	1
4	CAP ASSY、OIL FILLER	JF168.15-3	1
5	CAP ASSY、OIL FILLER	JF168.15-5	1
6	COVER ASSY、CRANKCASE	JF168.15-1B	1
7	BEARING、RADIAL BALL、6205	GB276-89	1
8	PACKING、OIL FILLER CAP	JF168.15-6	2
9	OIL SEAL、25X41X6	GB13817-92	1

10	PIN, DOWEL, 8X14	JF168.15-4	2
11	BOLT, FLANGE, 8X32	GB5780-86	6

Crankshaft (1)

5

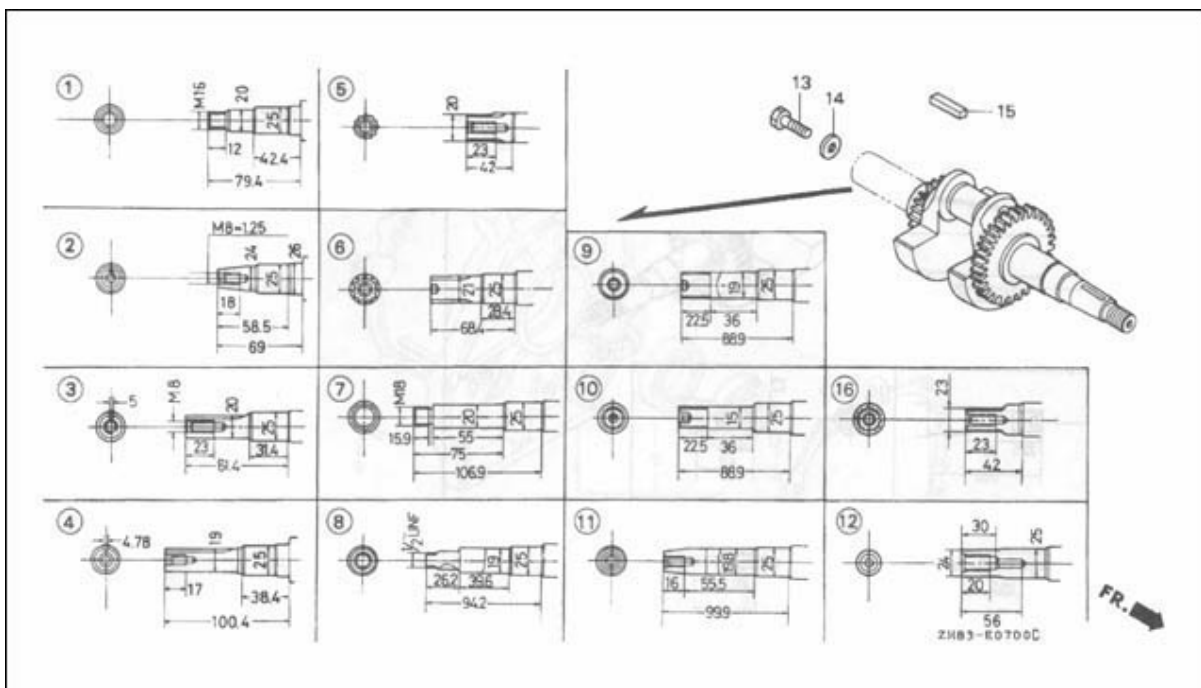


1	CRANKSHAFT COMP	JF200.4-1A	1
2	CRANKSHAFT COMP	JF200.4-1B	1
3	CRANKSHAFT COMP	JF200.4-1C	1
4	CRANKSHAFT COMP	JF200.4-1D	1
5	CRANKSHAFT COMP	JF200.4-1E	1
6	CRANKSHAFT COMP	JF200.4-1F	1
7	CRANKSHAFT COMP	JF200.4-1G	1
8	CRANKSHAFT COMP	JF200.4-1H	1

9	CRANKSHAFT COMP	JF200.4-1I	1
10	CRANKSHAFT COMP	JF200.4-1J	1
11	CRANKSHAFT COMP	JF200.4-1K	1
12	CRANKSHAFT COMP	JF200.4-1L	1
13	BOLT, HEX, 5/16"	GB5780-86	1

Crankshaft (1)

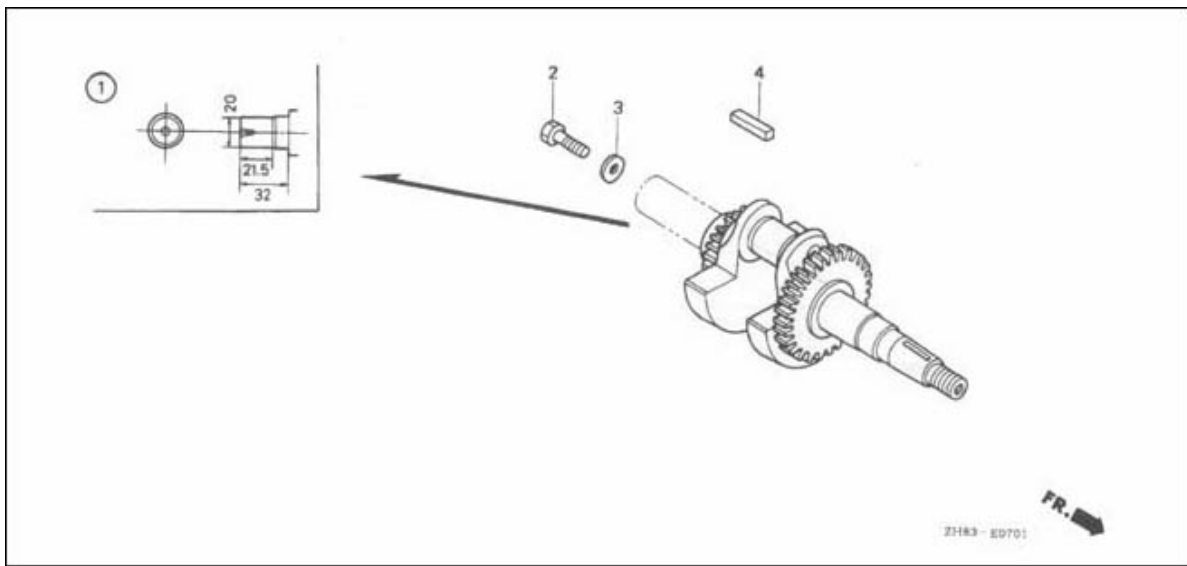
6



14	WASHER, 8MM	GB95-85	1
15	KEY, 5X5X33	GB1096-79	1
16	CRANKSHAFT COMP	JF200.4-1M	1

Crankshaft (2)

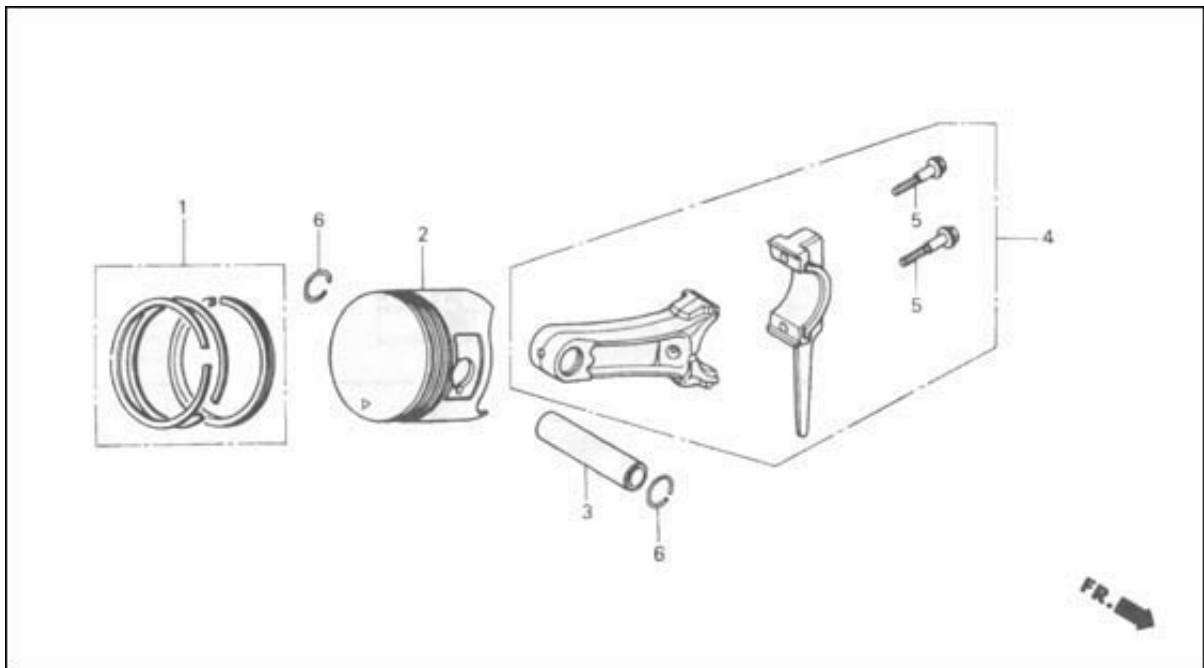
7



1	CRANKSHAFT COMP	JF200.4-1N	1
2	BOLT、HEX、8X25	GB5780-86	1
3	WASHER、8MM	GB95-85	1
4	KEY、5X5X33	GB1096-79	1

Piston

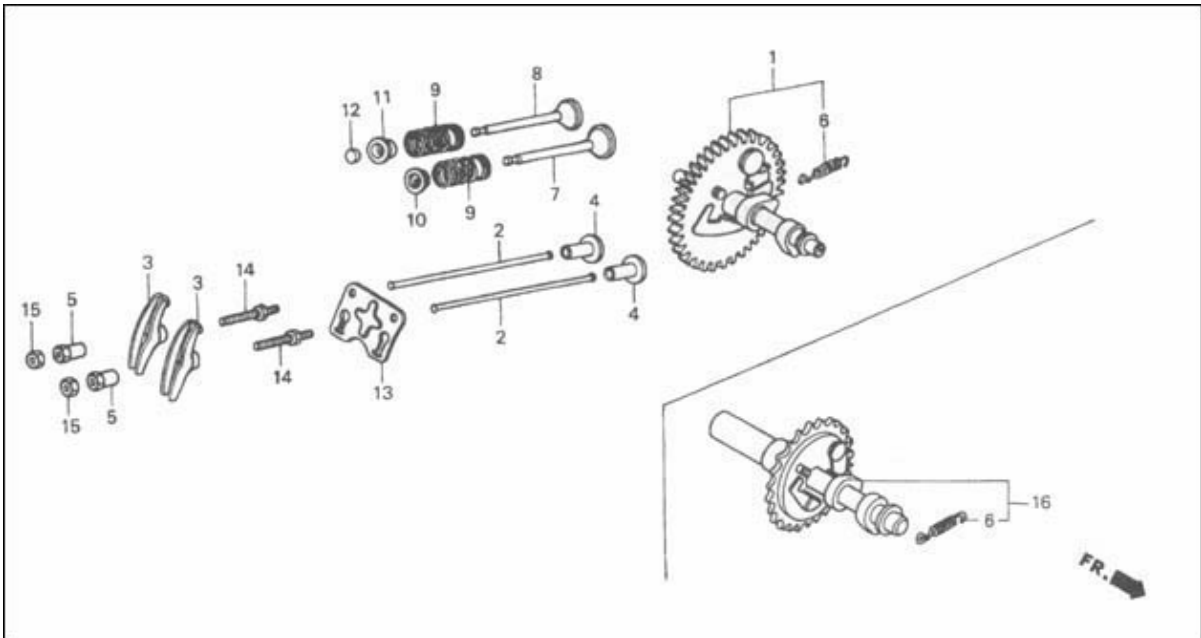
8



1	RING SET, PISTON (STD.)	JF168.3-1	1
2	PISTON (STD.)	JF200.1-5	1
3	PIN, PISTON	JF168.3-4	1
4	ROD ASSY., CONNECTING (STD.)	JF168.3-6	1
5	BOLT, CONNECTION ROD	JF168.3-8	2
6	CLIP, PISTON PIN, 18MM	JF168.3-9	2

Camshaft

9

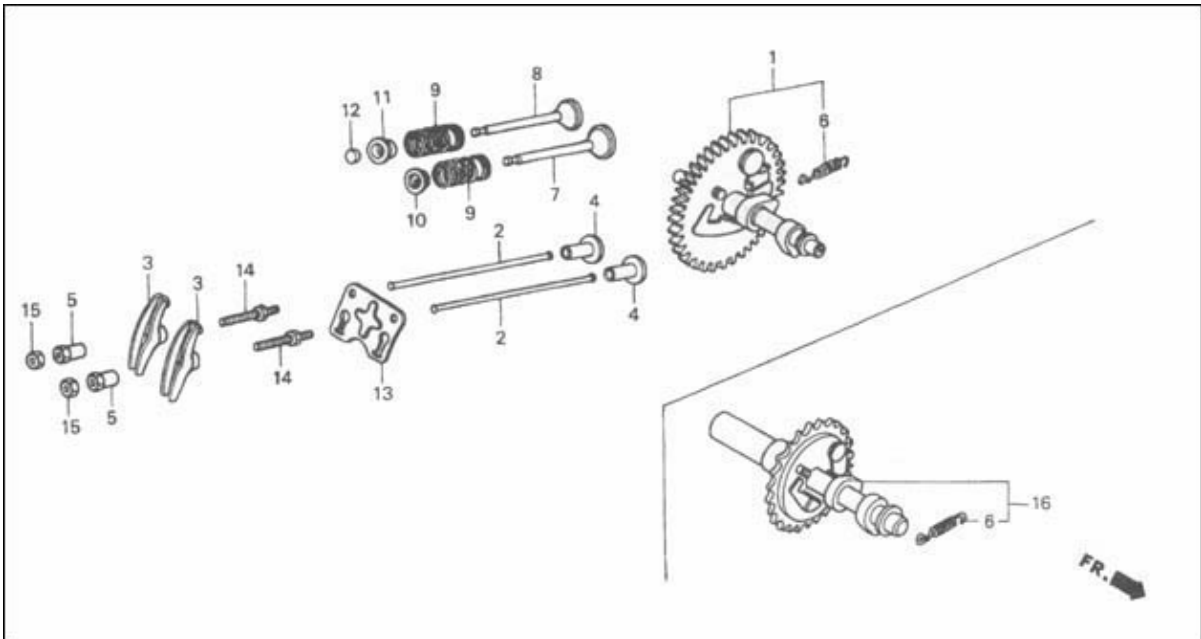


1	CAMSHAFT ASSY	JF200.5-1A	1
2	ROD, PUSH	JF168.1.2-14	2
3	ARM, VALVE ROCKER	JF168.1.2-9	2
4	LIFTER, VALVE	JF200.1.2-15	2
5	PIVOT, ROCKER ARM	JF168.1.2-8	2
6	SPRING, WEIGHT RETURN	JF168.5-5	1
7	VALVE, IN	JF168.1.2-3	1

8	VALVE, EX	JF168.1.2-4	1
9	SPRING, VALVE	JF168.1.2-10	2
10	RETAINER, IN.VALVE SPRING	JF168.1.2-1	1
11	RETAINER, EX.VALVE SPRING	JF168.1.2-2	1
12	RATATOR, VALVE	JF168.1.2-13	1
13	PLATE, PUSH ROD GUIDE	JF168.1.2-16	1

Camshaft

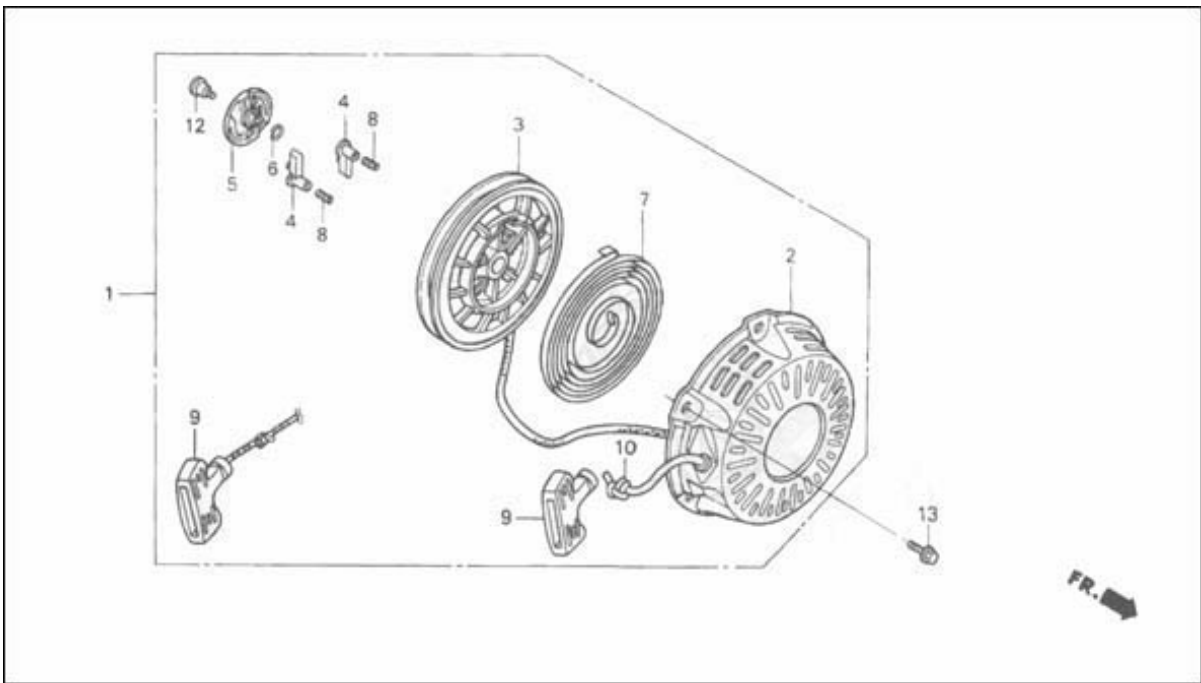
10



14	BOLT, PIVOT (8MM)	JF168.1.2-7	2
15	NUT, PIVOT ADJUSTING	JF168.1.2-17	2
16	CAMSHAFT ASSY	JF200.5-1B	1

Recoil starter

11

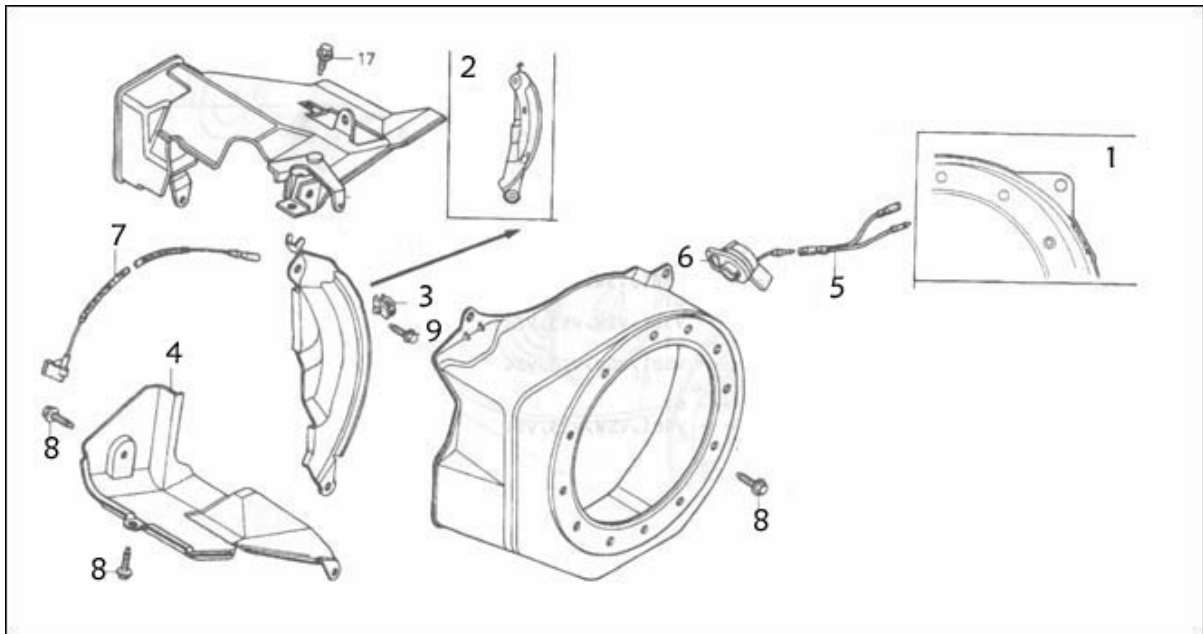


1	STARTER ASSY, RECOIL *R8*.....BRIGHT RED	JF168.13	1
2	CASE COMP, RECOIL STARTER *R8*.....BRIGHT RED	JF168.13.1-1	1
3	REEL, RECOIL STARTER (BLACK)	JF168.13-3	1

4	RATCHET、STARTER	JF168.13-4	2
5	GUIDE、RATCHET	JF168.13-6	1
6	SPRING、FRICTION	JF168.13-8	1
7	SPRING、RECOIL STARTER	JF168.13-10	1
8	SPRING、RETURN	JF168.13-4	2
9	GRIP、STARTER	JF168.13-1	1
10	ROPE、RECOIL STARTER	JF168.13-2	1
12	SCREW、SETTING	JF168.13-7	1
13	BOLT、FLANGE、6X8	GB5780-86	3

Fan cover

12

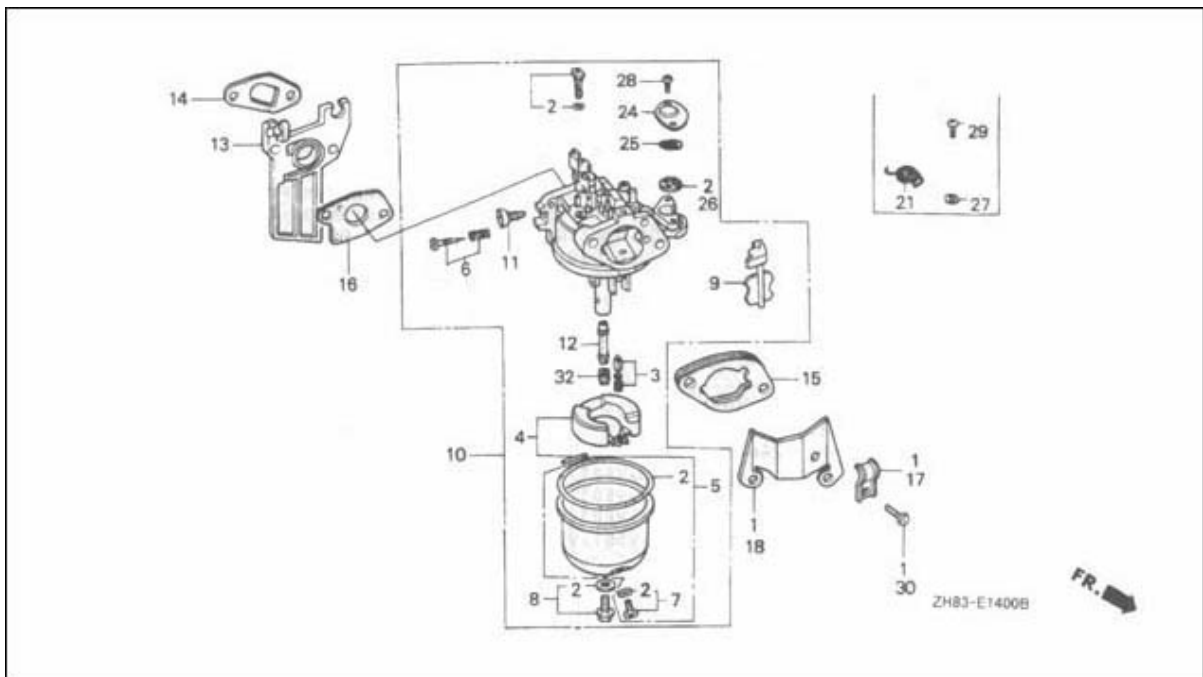


1	COVER COMP、FAN*R8*..... BRIGHT RED	JF168.13-11	1
2	PLATE、SIDE (STD)	JF168.12.2-1	1

3	CLAMPER, CORD	JF168.12.2-3	1
4	SHROUD COMP	JF168.12.3	1
5	SUB HARNESS	JF168.18-2	1
6	SWITCH ASSY, ENGINE STOP	JF168.10.1	1
7	CORD, STOP SWITCH(395MM)	JF168.10.2-2	1
8	BOLT, FLANGE, 6X12 (CT200)	GB5780-86	2
9	BOLT, FLANGE, 6X20 (CT200)	GB5780-86	4

Carburetor(1)

13

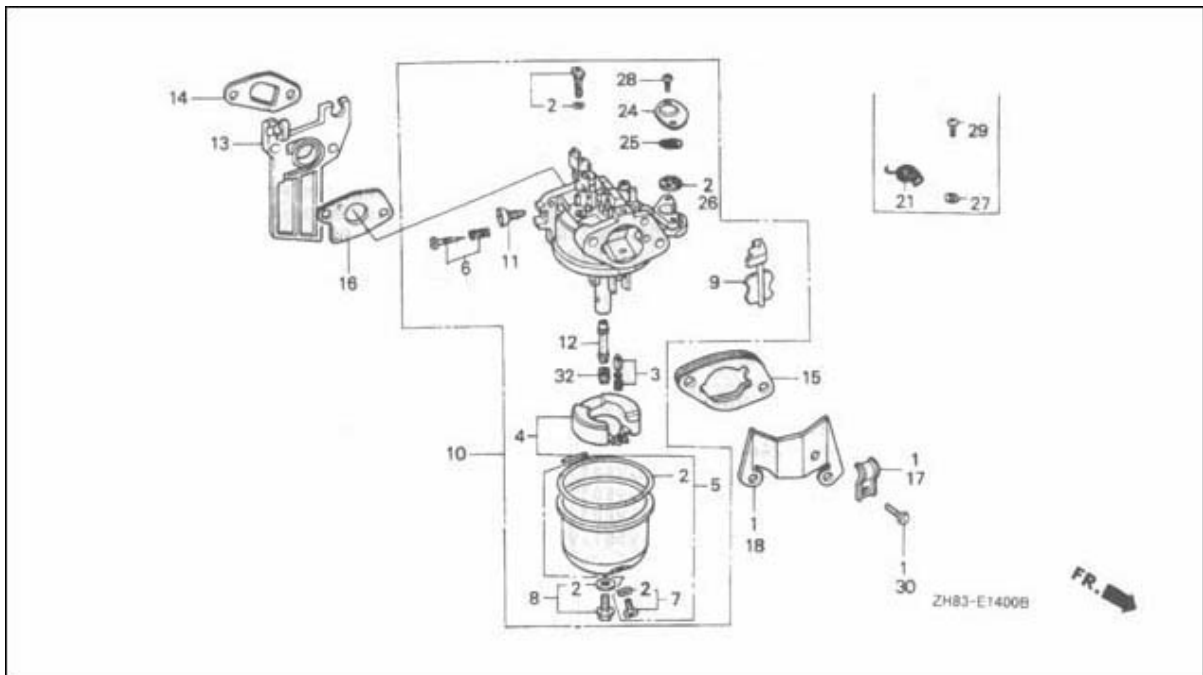


1	CHOKE KIT, REMOTE CONTROL	JF168.9-1	1
2	GASKET SET	JF168.9-2	1

3	VALVE SET、 FLOAT	JF168.9-3	1
4	FLOAT SET	JF168.9-4	1
5	CHAMBER SET、 FLOAT	JF168.9-5	1
6	SCREW SET、 PILOT	JF168.9-6	1
7	SCREW SET、 DRAIN	JF168.9-7	1
8	SCREW SET	JF168.9-8	1
9	CARBURETOR ASSY. (BE11C A)	JF168.9-9	1
10	SCREW、 THROTTLE STOP	JF200.9-10	1
11	NOZZLE、 MAIN	JF168.9-11	1
12	PACKING、 FUEL STRAINER CUP	JF200.9-12	1
13	INSULATOR、 CARBURETOR	JF168.9-13	1

arburetor (1)

14

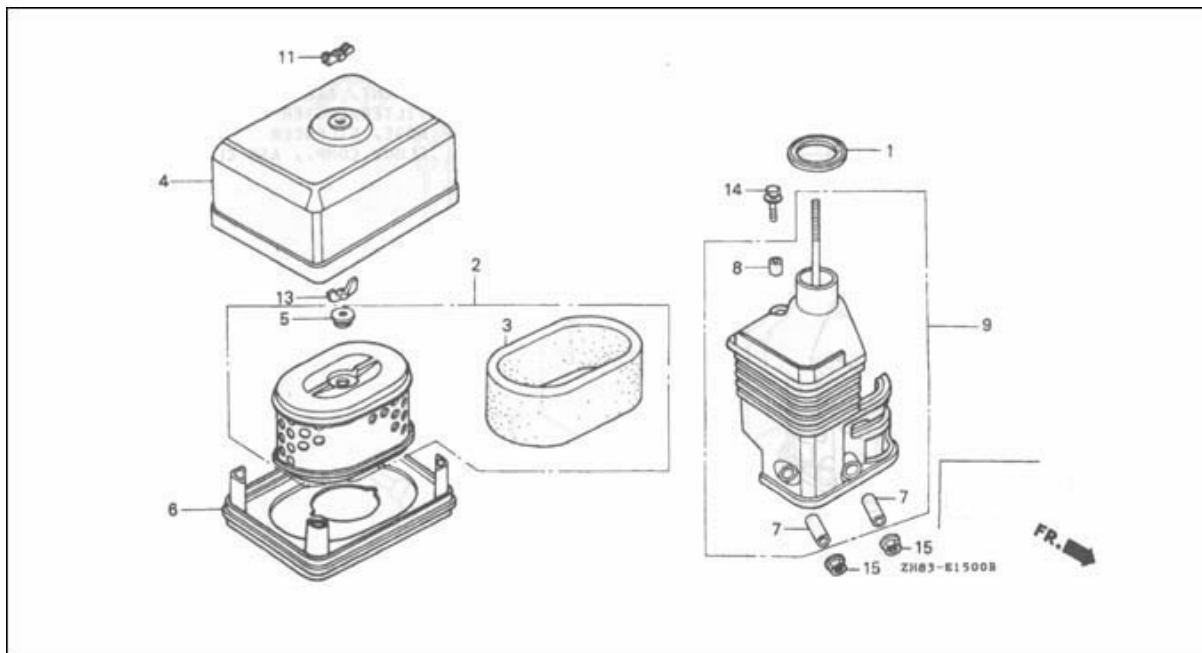


14	PACKING、 INSULATOR	JF168.9-14	1
----	--------------------	------------	---

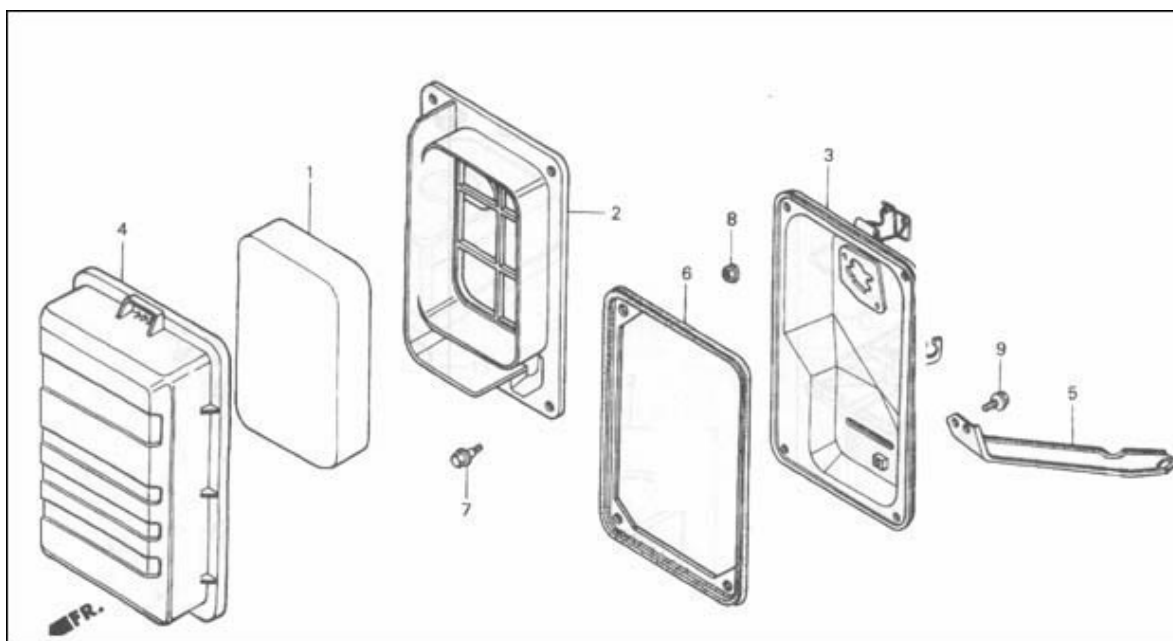
15	SPACER COMP, CARBURETOR	JF168.9-15	1
16	PACKING, CARBURETOR	JF168.1.1-4	1
17	HOLDER, CONTROL CABLE	JF168.6-9	1
18	STAY, CHOKE CONTROL	JF168.9-2	1
21	SPRING, RETURN	JF168.9-16	1
25	SPRING, COCK LEVER	JF168.9-17	1
26	PACKING, FUEL COCK	JF168.9-18	1
27	CUP, FUEL STRAINER	JF168.9-19	1
28	CIRCLIP, 5MM	JF168.9-20	1
29	SCREW, PAN, 3X8	JF168.9-21	1
30	SCREW, PAN, 4X8	JF168.9-22	1
32	PIN, SPRING, 2X12	GB819-85	2

Air cleaner

15



1	PACKING, ELBOW	JF168.6-6	1
2	ELEMENT, AIR CLEANER (DUAL)	JF168.6.1	1
3	FILTER, OUTER	JF168.6-4	1
4	COVER, AIR CLEANER (DUAL)	JF168.6-3	1
5	GROMMET, AIR CLEANER	JF168.6.1-7	1
6	NOSE, SILENCER	JF168.6-5	1
7	COLLAR, AIR CLEANER	JF168.6-12	2
8	COLLAR B, AIR CLEANER	JF168.6-11	1
9	ELBOW COMP, AIR CLEANER	JF168.6-8	1
11	NUT, AIR CLEANER COVER (DACRO COAYING)	JF168.6-1	1
13	NUT, TOOL BOX SETTING	JF168.6-1	1
14	BOLT-WASHER, 6X20	GB5780-86	1
15	NUT, FLANGE, 6MM	GB6177-86	2

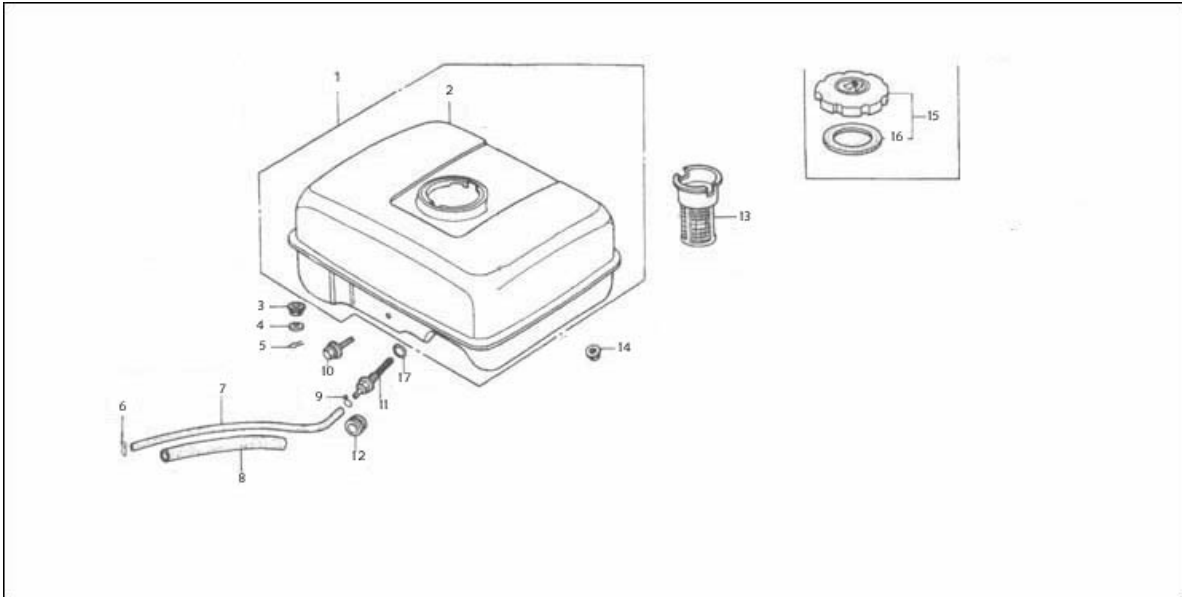


1	ELEMENT, AIR CLEANER	JF168.6.2-1	1
2	SEPARATOR, AIR CLEANER	JF168.6.2-2	1
3	CASE COMP, AIR CLEANER	JF168.6.2-3	1
4	COVER, AIR CLEANER	JF168.6.2-4	1
5	STAY, AIR CLEANER	JF168.6.2-5	1
6	SEAL, AIR CLEANER	JF168.6.2-6	1
7	BOLT, WINKER SETTING	GB5780-86	4
8	NUT, FLANGE, 6MM	GB6177-86	4
9	BOLT, FLANGE, 6X10	GB5780-86	2

--	--	--	--

Fuel tank

19

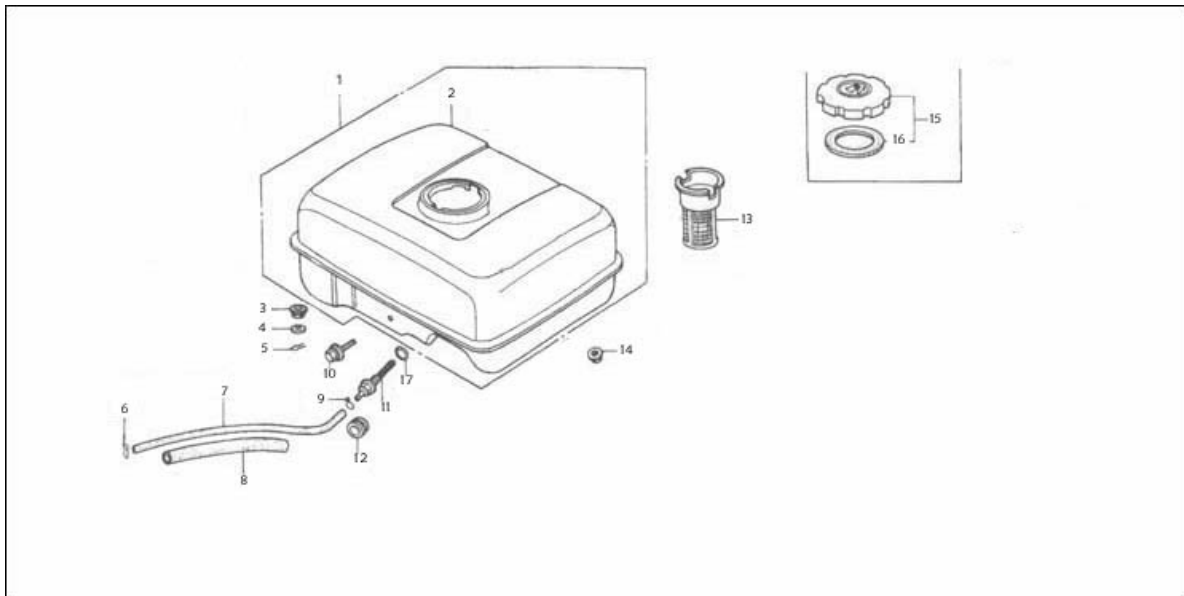


1	TANK ASSY、 FUEL (GAUGE) NH31.....MCKNLIE WHILE	JF168.8.	1
2	TANK COMP、 FUEL*NH31*MIKINLIE WHITE	JF168.8.2	1
3	RUBBER、 TANK CUSHION	JF168.8.2-4	1
4	WASHER、 AIR DUCT	JF168.8.2-5	1
5	PIN、 LOCK、 8MM	JF168.11.2-2	1
6	CLIP、 TUBE (B8)	JF168.8.3-4	1
7	TUBE、 FUEL、 4X140 (95001-45001-60M)	JF168.8.3-2	1
8	RUBBER、 SUPPORTER (107MM)	JF168.8.3-3	1
9	CLIP、 TUBE (B8)	JF168.8.3-4	1

10	BOLT, FLANGE, 6X25	GB5780-86	1
11	JOINT, FUEL TANK	JF168.8.3.1	1
12	RUBBER, FUEL (9X15X10)	JF168.8.3.1-3	1
13	FILTER, FUEL	JF168.8.4	1
14	NUT, FLANGE, 6MM	GB6177-86	1

Fuel tank

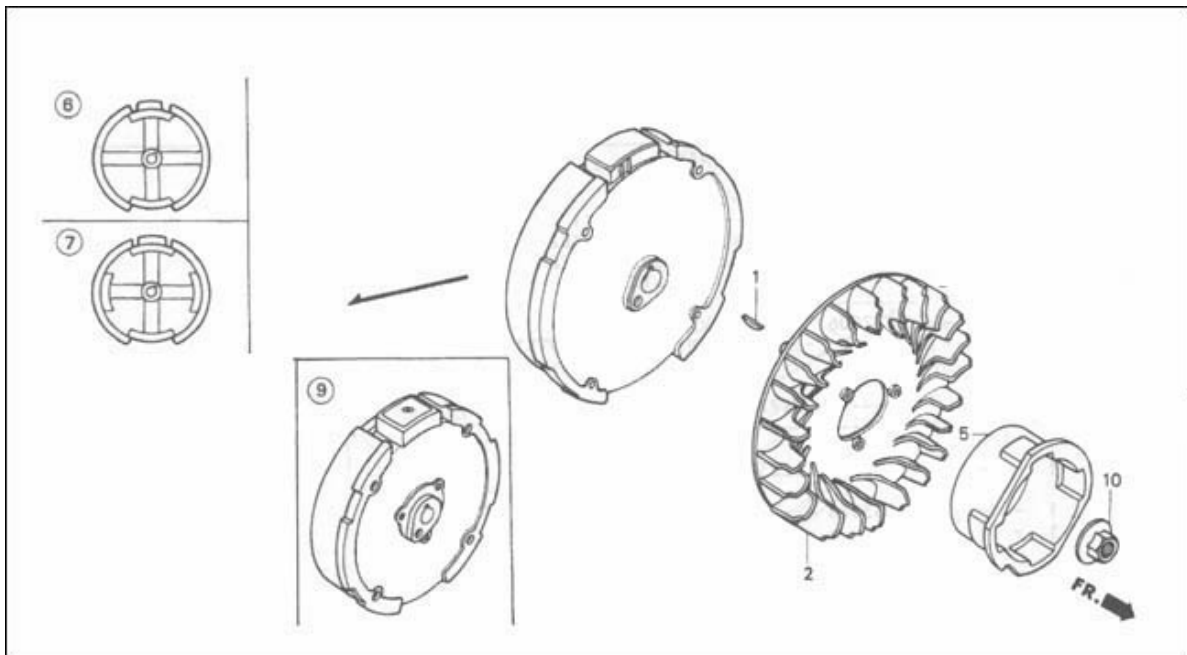
20



15	CAP COMP, FUEL FILLER	JF168.8.1	1
16	PACKING, FUEL FILLER CAP	JF168.8.1-4	1
17	O-RING, 14MM (NOK)	JF168.8.3.1-3	1

Flywheel

21

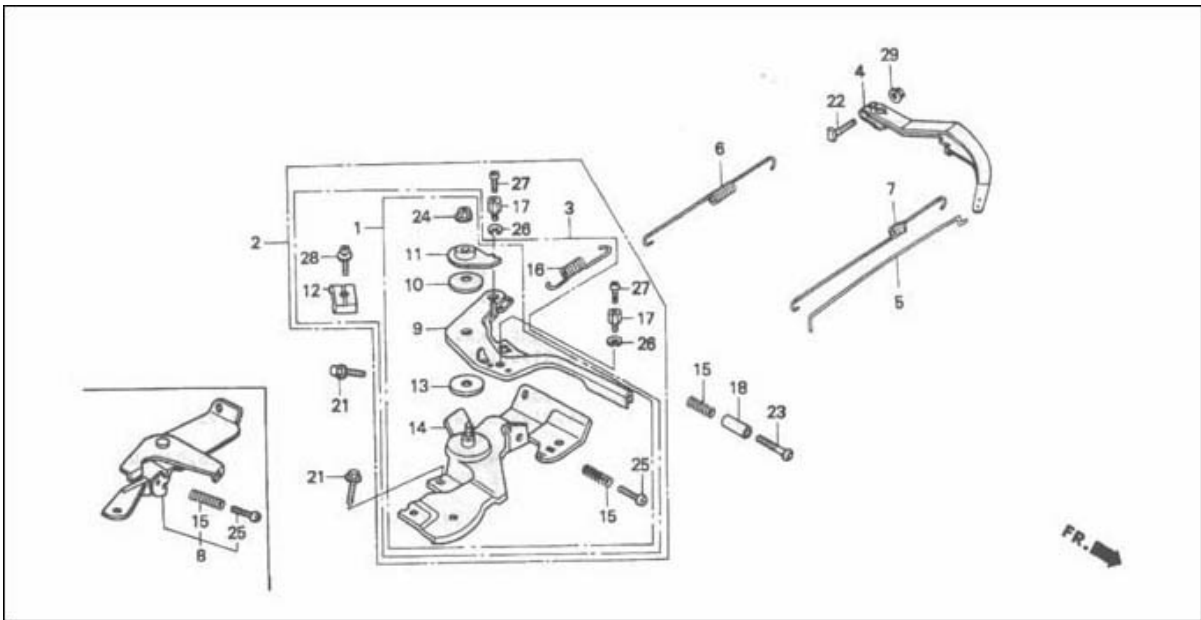


1	KEY、SPECIAL WOODRUFF、25X18	JF168.4-2	1
2	FAN、COOLING	JF168.12.1	1
5	PULLEY、STARTER	JF168.13-9	1
6	FLYWHEEL COMP	JF168.4.1A	1
7	FLYWHEEL COMP (LAMP)	JF168.4.1B	1
9	FLYWHEEL COMP (SELF STARTER-7A)	JF168.4.1C	1

10	NUT, SPECIAL, 14MM	JF168.4.1-4	1

Control

22

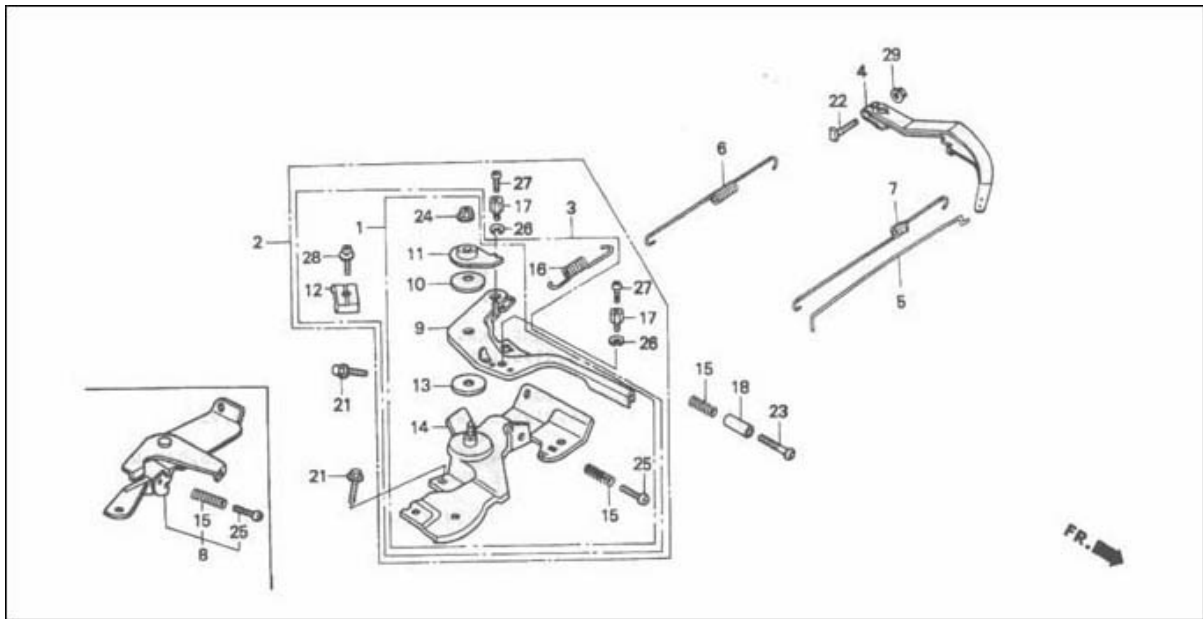


1	CONTROL ASSY (STD)	JF168.11.4	1
2	CONTROL ASSY(REMOTE INTL)	JF168.11	1
3	CONTROL ASSY (REMOTE)	JF168.11.2	1
4	ARM, GOVERNOR	JF168.11.2-4	1
5	ROD, GOVERNOR	JF168.11.2-7	1
6	SPRING, GOVERNOR	JF168.11.2-5	1

7	SPRING, THROTTLE RETURN	JF168.11.2-6	1
8	CONTROL ASSY	JF168.11.3	1
9	LEVER, CONTROL	JF168.11.4-2	1
10	SPRING, LEVER	JF168.11.4-5	1
11	WASHER, CONTROL LEVER	JF168.11.4-6	1
12	HOLDER, CABLE	JF168.11.4-8	1
13	SPACER, CONTROL LEVER	JF168.11.4-4	1
14	BASE COMP, CONTROL	JF168.11.4-1	1

Control

23



15	SPRING, CONTROL ADJUSTING	JF168.11.3-3	1
16	SPRING, CABLE RETURN	JF168.11.4-7	1
17	HOLDER, WIRE	JF168.11.4-9	1
18	COLLAR, STOPPER	JF168.11.4-10	1
21	BOLT, FLANGE, 6X12 (CT200)	GB5780-86	2

22	BOLT, GOVERNOR ARM	JF168.11.2-3	1
23	SCREW, RECESSED, 5X25	GB818-85	1
24	NUT, SELF-LOCK, 6MM	GB6177-86	1
25	SCREW, LOCK PAN	GB818-85	1
26	CIRCLIP, 5MM	GB818-85	2
27	SCREW, PAN, 4X6	JF168.11.4-11	2
28	SCREW-WASHER, 5X16	GB5780-86	1
29	NUT, FLANGE, 6MM	GB6177-86	1